



**–OPERATING INSTRUCTIONS–
YP20 PARKER PROBE LIGHT**

**BULLETIN 276
APRIL 2013**

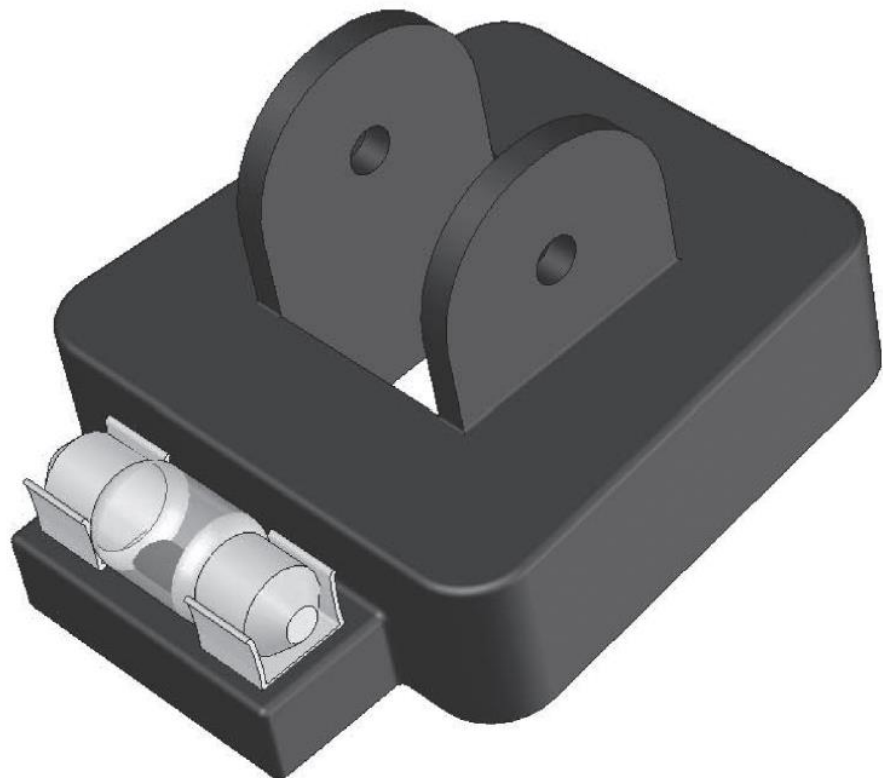
PARKER RESEARCH CORP.

NONDESTRUCTIVE TEST METHODS, SYSTEMS, INSTRUMENTS
BOX 1406, DUNEDIN, FLORIDA, U.S.A. 34697
PHONE: (727)796-4066 FAX: (727)797-3941

The Parker YP20 Probe Light is a molded inspection light designed to fit the P2 Contour Probe (Yoke). The light produces substantial close-in illumination for magnetic testing. The Parker YP20 light operates from the induction of the AC magnetic field produced by the Contour Probe. A small coil wound within the molded light housing produces 12 volts AC which operates the small cylindrical shaped bulb. There are no wiring connection necessary for installation.

The YP20 Probe Light is designed to fit the rear leg housing of the Parker P2 Contour Probe. The light is molded from durable glass filled nylon which is extremely resistant to shock, wear and chemicals. The bulbs are an automotive dome light bulb which may be available from local sources. Replacements are also available from Parker at minimal cost.

**YP20 Parker Probe Light
Fits P2 Contour Probe**



See reverse side for installation instructions.
WEBSITE: www.parkerndt.com

Installation Instructions:

1. Remove existing screw and nut from rear Probe leg (closest to power cord).
2. Remove Probe leg.
3. Install Probe Light over leg attachment with light facing forward.
4. Reinstall rear Probe leg.
5. Insert new 1 ¼" screw using the washers on either side.
6. Attach nut and tighten.

